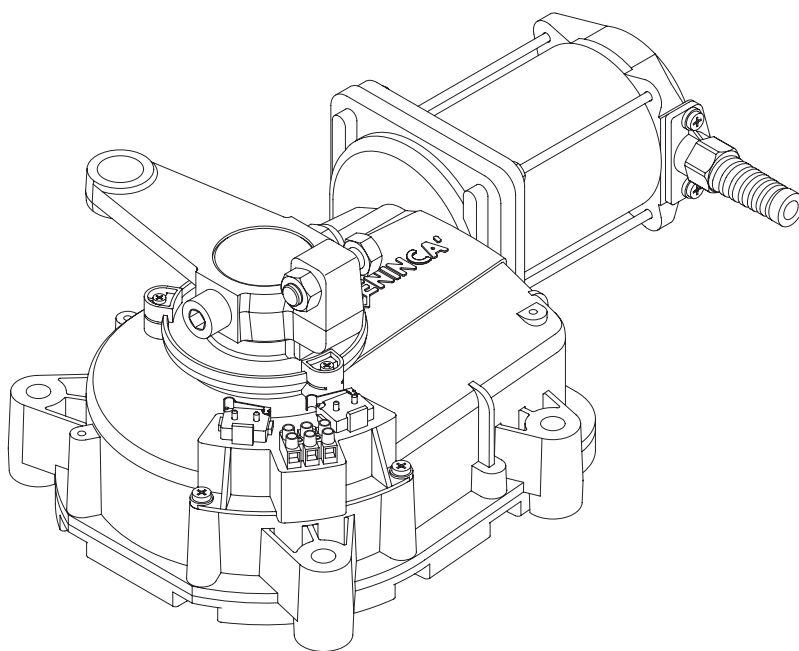


L8542113
Rev. 07/07/06

BENINCA®

APRICANCELLO ELETTROMECCANICO
ELECTROMECHANICAL GATE OPENER
ELEKTROMECHANISCHE AUTOMATION FÜR SCHIEBEGITTER
AUTOMATISATION ÉLECTROMÉCANIQUE POUR GRILLES
ABRECANCELA ELECTROMECHANICO
ELEKTROMECHANICZNY OTWIERACZ BRAM

DU.IT24N



Manual istruzioni e catalogo ricambi

Operating instructions and spare parts catalogue

Betriebsanleitung und Ersatzteilliste

Livret d'instructions et catalogue des pieces de rechange

Manual de instrucciones y catálogo de recambios

Książeczka z instrukcjami i katalog części wymiennych



UNIONE NAZIONALE COSTRUTTORI
AUTOMATISMI PER CANCELLI, PORTE
SERRANDE ED AFFINI

Dati tecnici	Technical data	Technische Daten	Donnees technique	Datos técnicos	Dane techniczne	DU.IT24N
Alimentazione	Power supply	<i>Speisung</i>	Alimentation	Alimentación	Zasilanie	24 Vdc
Potenza assorbita	Absorbed rating	<i>Leistung</i>	Puissance absorbée	Potencia absorbida	Pobór mocy	120W
Corrente assorbita	Absorbed current	<i>Strom-Verbrauch</i>	Courant absorbé	Corriente absorbida	Pobór prądu	6 A
Coppia	Torque	<i>Drehmoment</i>	Couple	Empuje	Moment obrotowy	360 Nm
Peso max anta	Max. wing weight	<i>Max. Flügelwicht</i>	Poids max. porte	Peso máx. de hoja	Max ciężar skrzydła bramy	300 kg
Tempo per compiere 90°	90° rotation time	<i>90° Öffnungszeit</i>	Temps emp. pour 90°	Tiempo para abrir 90°	Czas na wykon. przes.do 90°	15/23 s
Lunghezza max. anta	Max. wing width	<i>Max. Flügellänge</i>	Longueur max. porte	Longitud máx. hoja	Max długość skrzydła bramy	4 m
Temper. funzionamento	Operating temperature	<i>Laufzeit</i>	Température de fonct.	Temperatura funcionam.	Temper. podczas pracy	-20°C/+70°C
Intermittenza lavoro	Jogging	<i>Betriebsintervall</i>	Intermittence travail	Intermitencia de trabajo	Cykliczność pracy	*
Grado di protezione	Protection degree	<i>Schutzgrad</i>	Degré de protection	Grado de protección	Stopień ochrony	IP67
Rumorosità	Noise level	<i>Geräuschentwicklung</i>	Bruit	Ruido	Hałaśliwość	<70dB (a)
Lubrificazione	Lubrication	<i>Schmierung</i>	Lubrification	Lubrificación	Smarowanie	Grasso GR LP1
Peso motoriduttore	Gearde motor weight	<i>Getriebemotor Gewicht</i>	Poids motoréducteur	Peso motor	Ciężar siłownika	11,6 kg
Peso cassa	Casing weight	<i>Deckel Gewicht</i>	Poids caisson	Peso caja	Ciężar obudowy	8,6 kg

* *Usa intensivo - Intensive use - Intensive Nutzung - Usage intensif - Uso intensivo - Użytkowanie intensywne*

Dimensioni d'ingombro
Overall dimensions
Abmessungen
Dimensions d'encombrement
Dimensiones exteriores
Wymiary gabarytowe

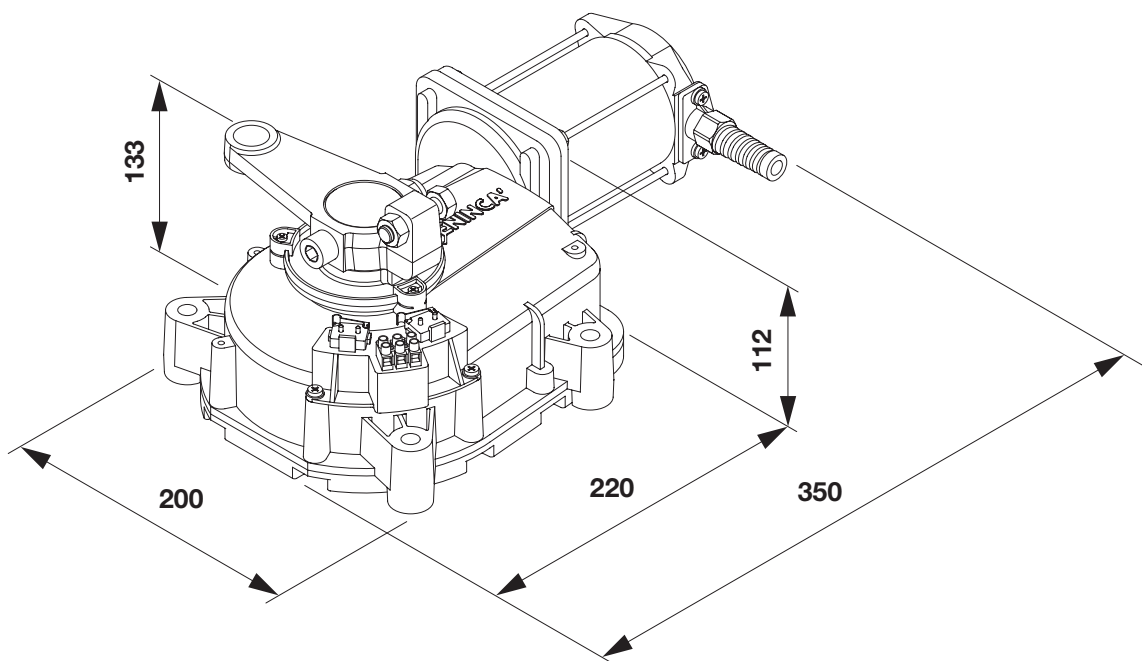


Fig.1

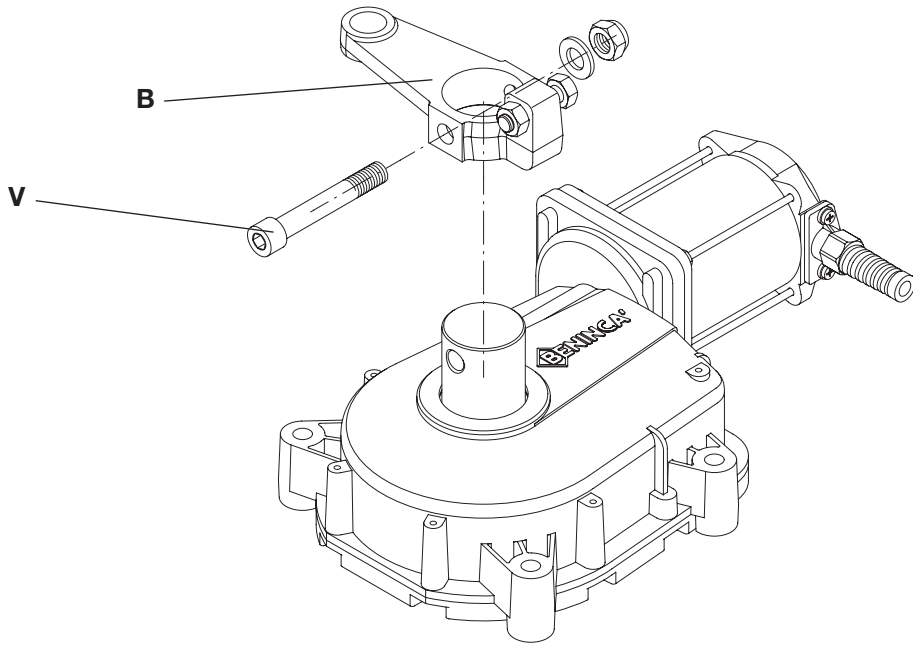


Fig.2

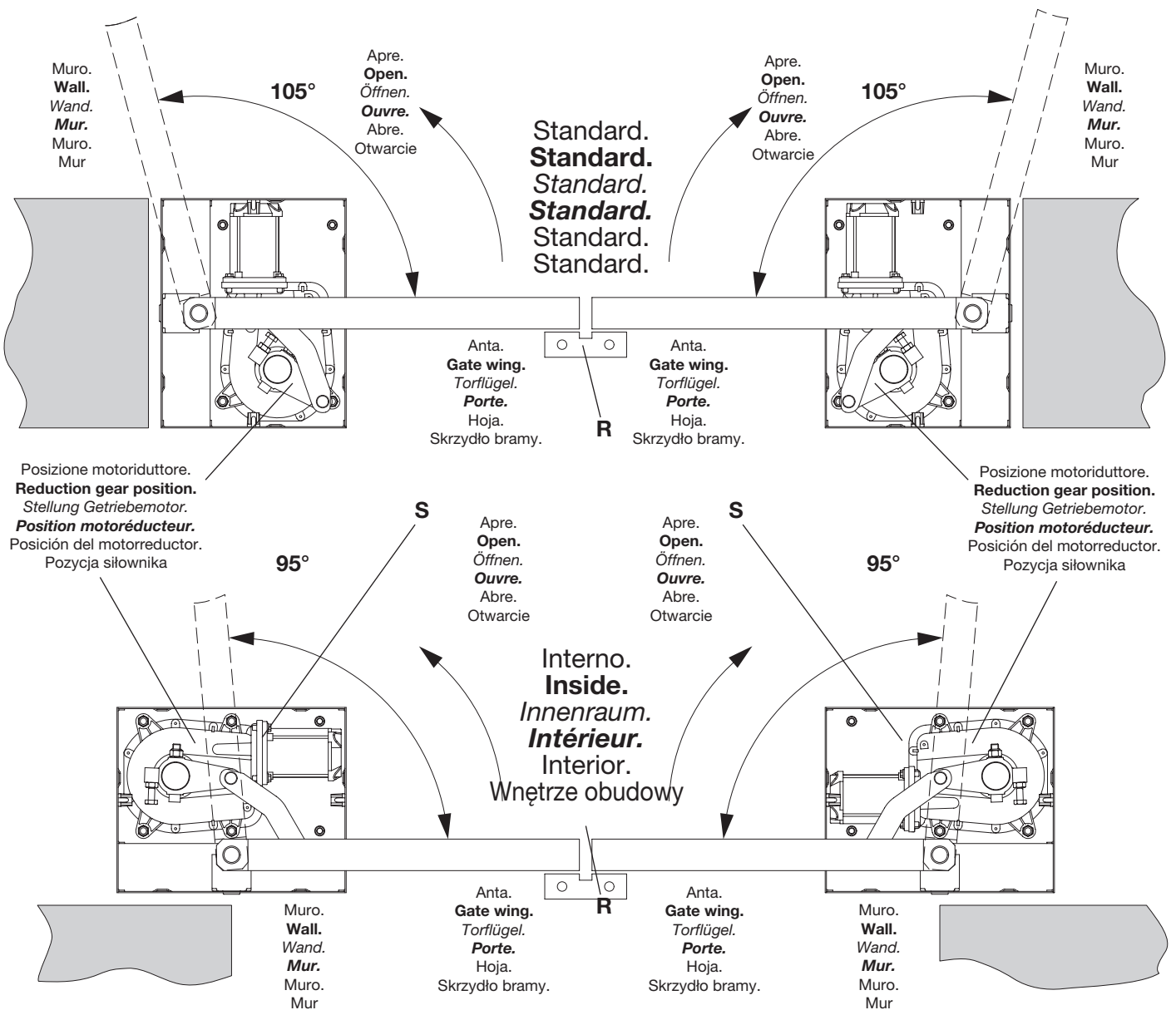


Fig.3

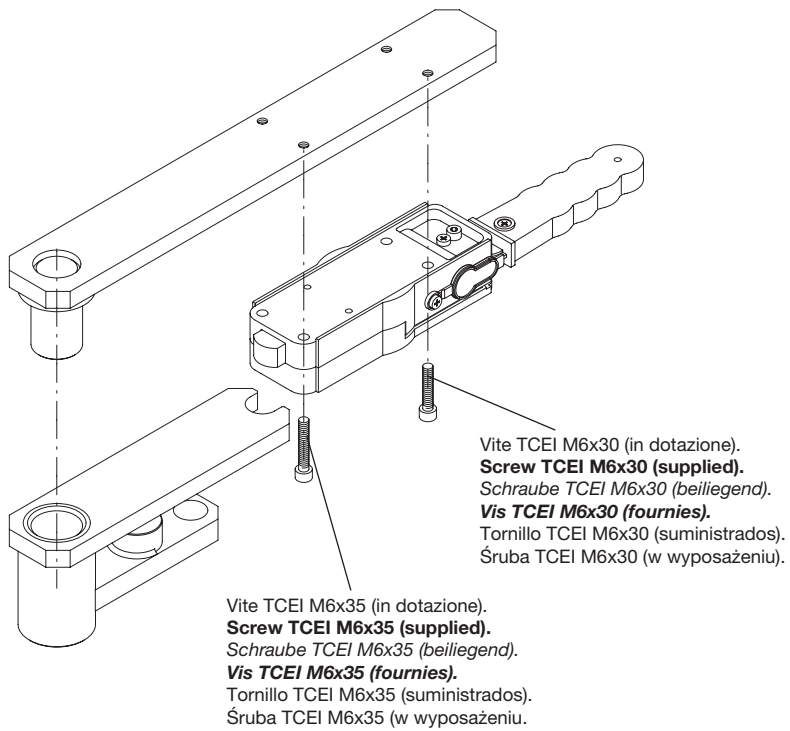


Fig.4

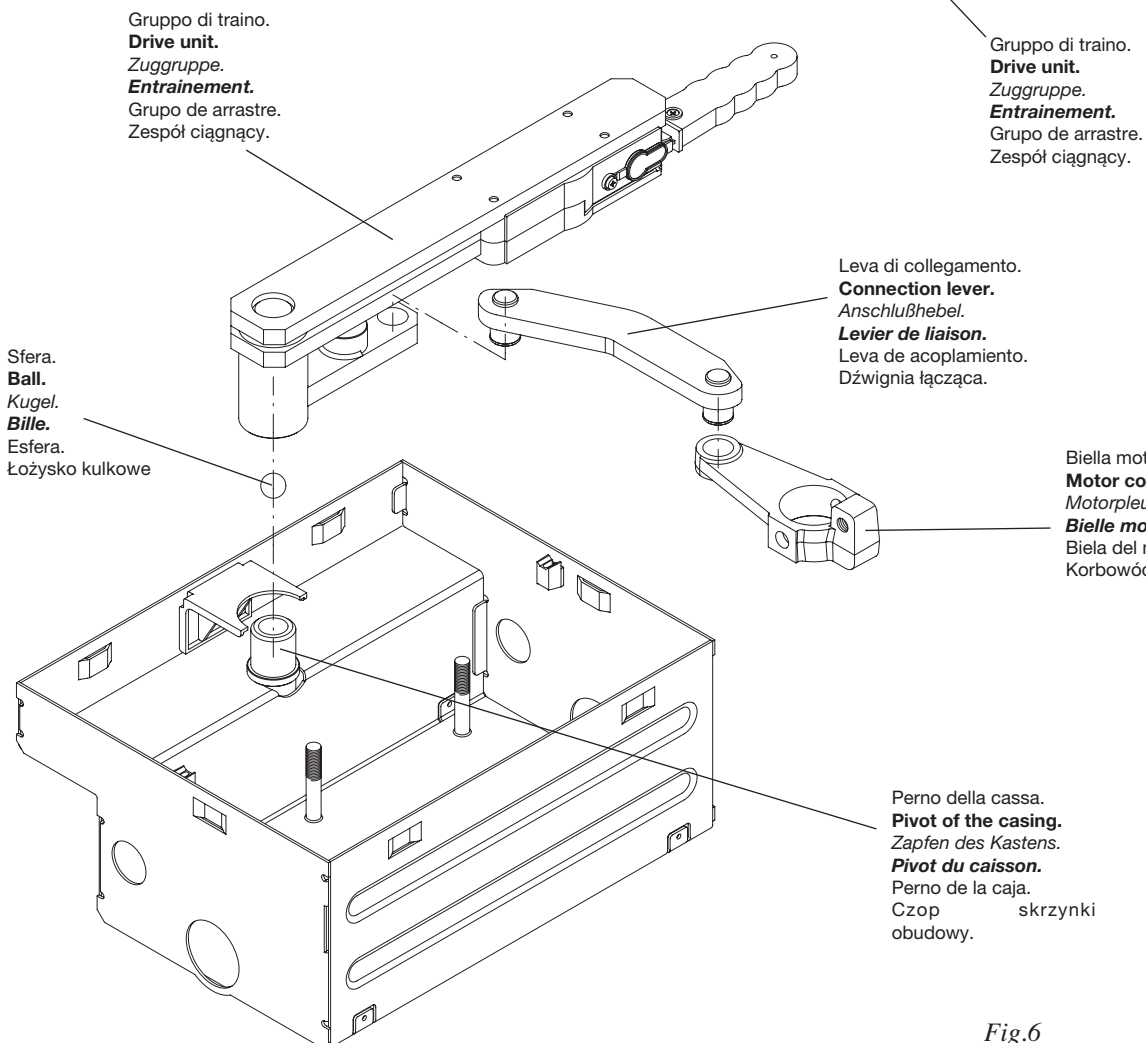
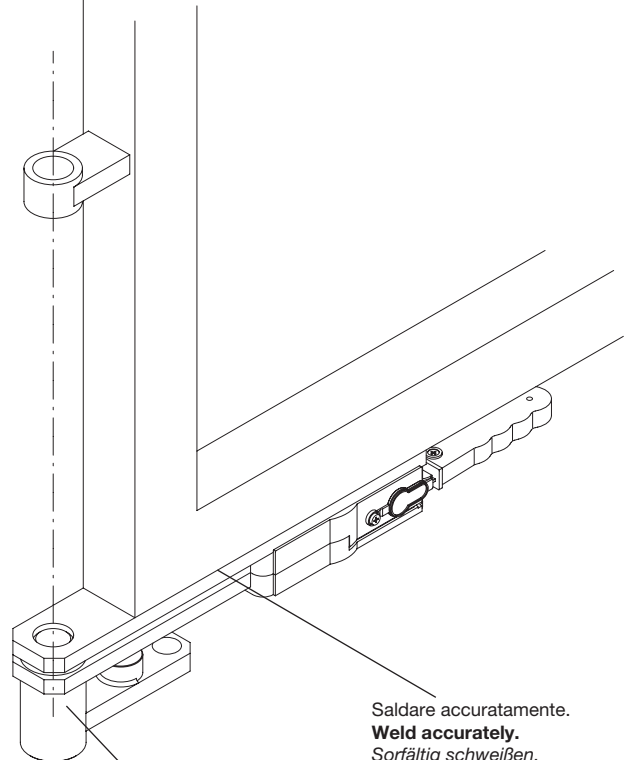


Fig.6

Fig.5

Curare l'allineamento tra la cerniera superiore ed il perno.
Align the top hinge with the pivot.
 Oberes Scharnier und Zapfen sind aufeinander auszurichten.
Soigner l'alignement entre la charnière supérieure et le pivot.
 Cuidar la alineación entre la bisagra superior y el perno.
 Dbąć o równopadłość linii pomiędzy górnym wpustem a sworzniem.



Saldare accuratamente.
Weld accurately.
 Sorgfltig schweien.
Souder parfaitement.
 Soldar cuidadosamente.
 Przyspawać dokładnie.

Gruppo di traino.
Drive unit.
 Zuggruppe.
Entrainement.
 Grupo de arrastre.
 Zespół ciągnący.

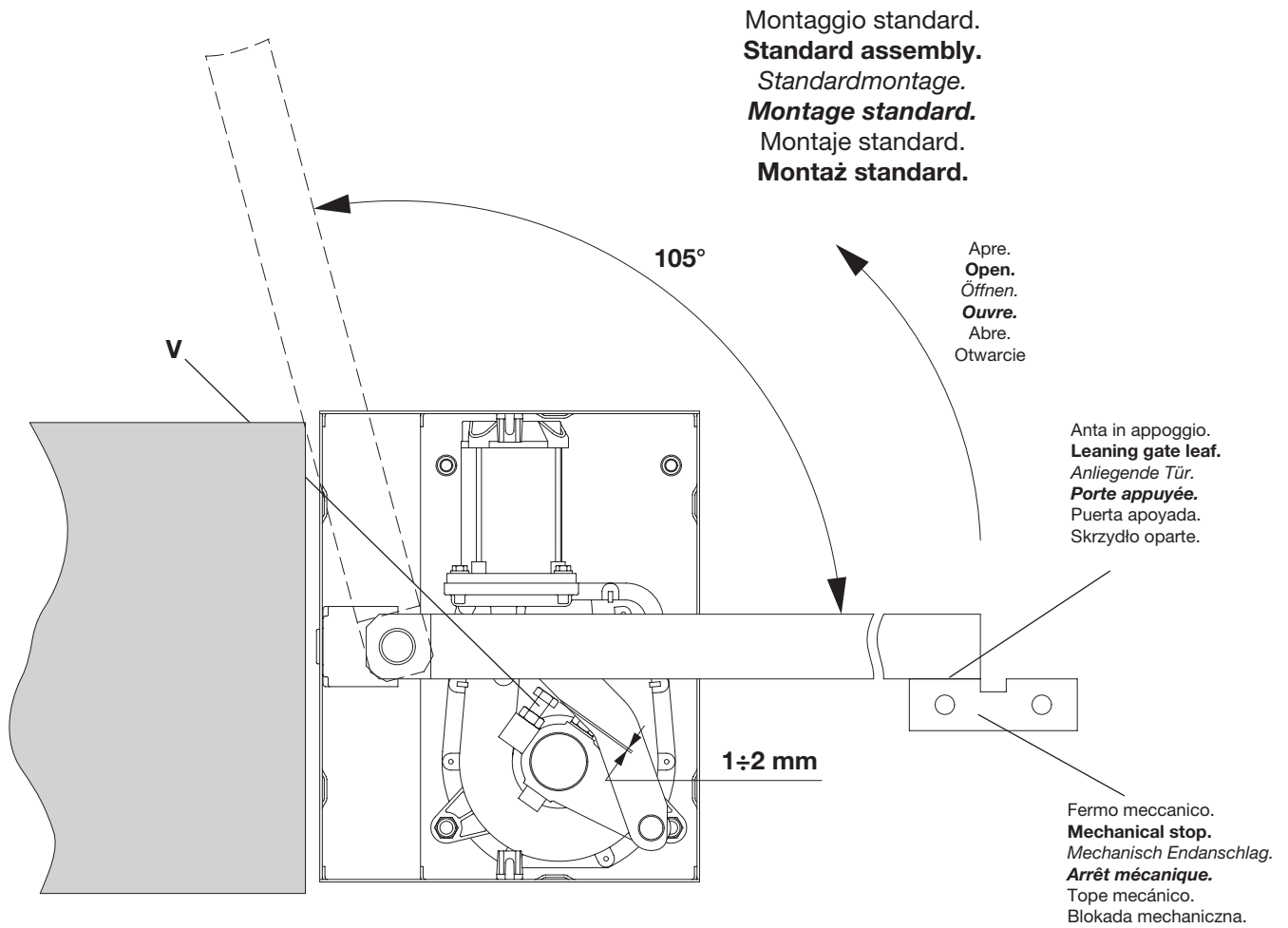


Fig.7

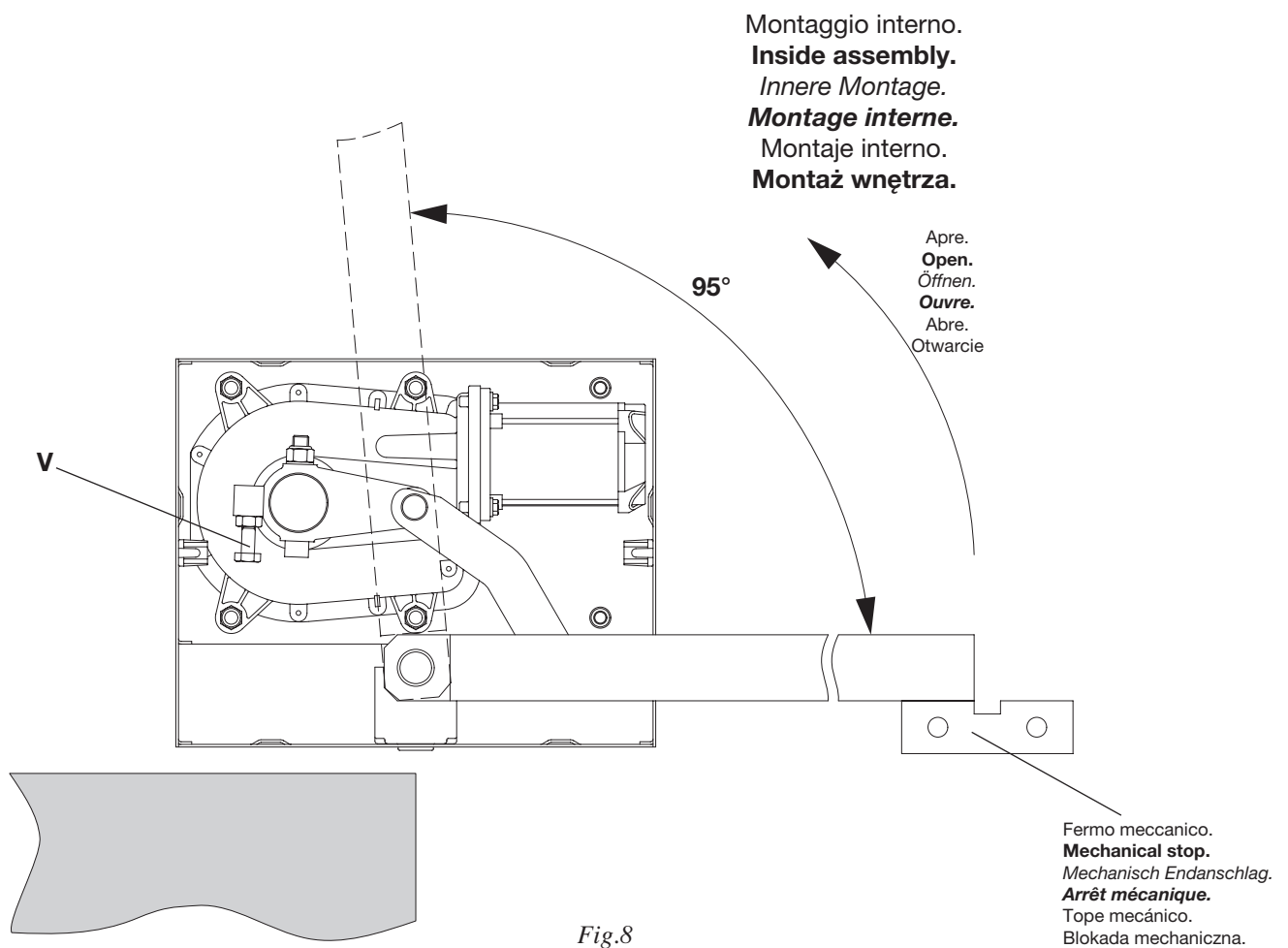
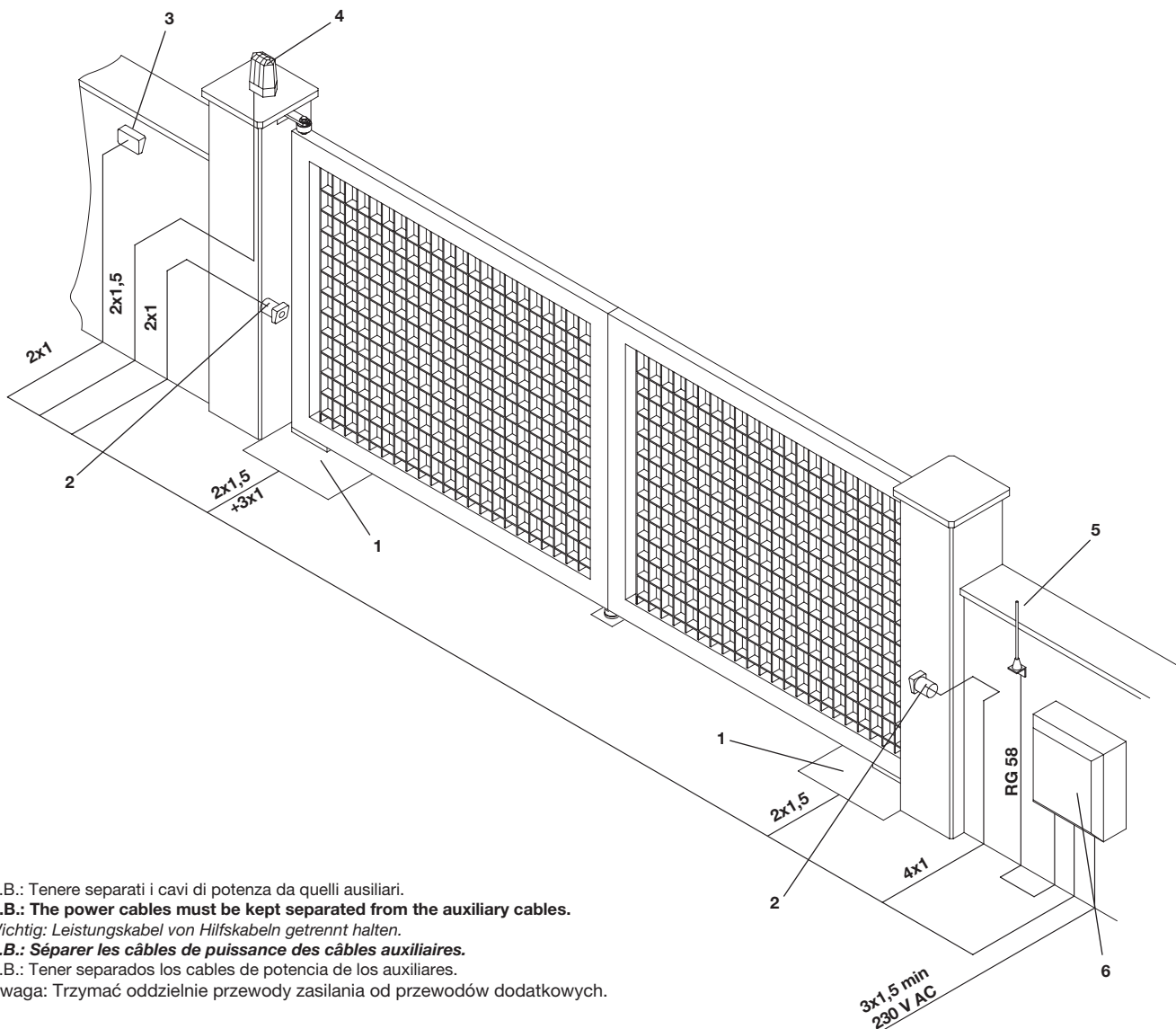


Fig.8



N.B.: Tenere separati i cavi di potenza da quelli ausiliari.

N.B.: The power cables must be kept separated from the auxiliary cables.

Wichtig: Leistungskabel von Hilfskabeln getrennt halten.

N.B.: Séparer les câbles de puissance des câbles auxiliaires.

N.B.: Tener separados los cables de potencia de los auxiliares.

Uwaga: Trzymać oddzielnie przewody zasilania od przewodów dodatkowych.

Legenda:

- 1 Motoriduttore DU.IT24N, cassa DU.CNI
- 2 Fotocellule SC.P30QI (da incasso), SC.P30QE (da esterno)
- 3 Selettore a chiave ID.SC o ID.SCE (da esterno) o tastiera digitale ID.PTD
- 4 Lampeggiante ID.LUX24
- 5 Antenna LO.W1N o LO.W1LUX (quarzata)
- 6 Centrale elettronica DA.24A

Legenda:

- 1 Motoreducer DU.IT24N, box DU.CNI
- 2 Photo-electric cells SC.P30QI (built in) SC.P30QE (external)
- 3 Key selector ID.SC or ID.SCE (external) or digital keyboard ID.PTD
- 4 Flash-light ID.LUX24
- 5 Antenna LO.W1N or LO.W1LUX (quartz)
- 6 Electronic gearcase DA.24A

Zeichenerklärung:

- 1 Getriebemotor DU.IT24N, Kasten DU.CNI
- 2 Fotozelle SC.P30QI (eingelegt), SC.P30QE (außenliegend)
- 3 Schlüssel-Selektor ID.SC oder ID.SCE (außenliegend) oder Digital-Tastatur ID.PTD
- 4 Blinker ID.LUX24
- 5 Antenne LO.W1N oder LO.W1LUX (Quartz)
- 6 Elektroschrank DA.24A

Légende:

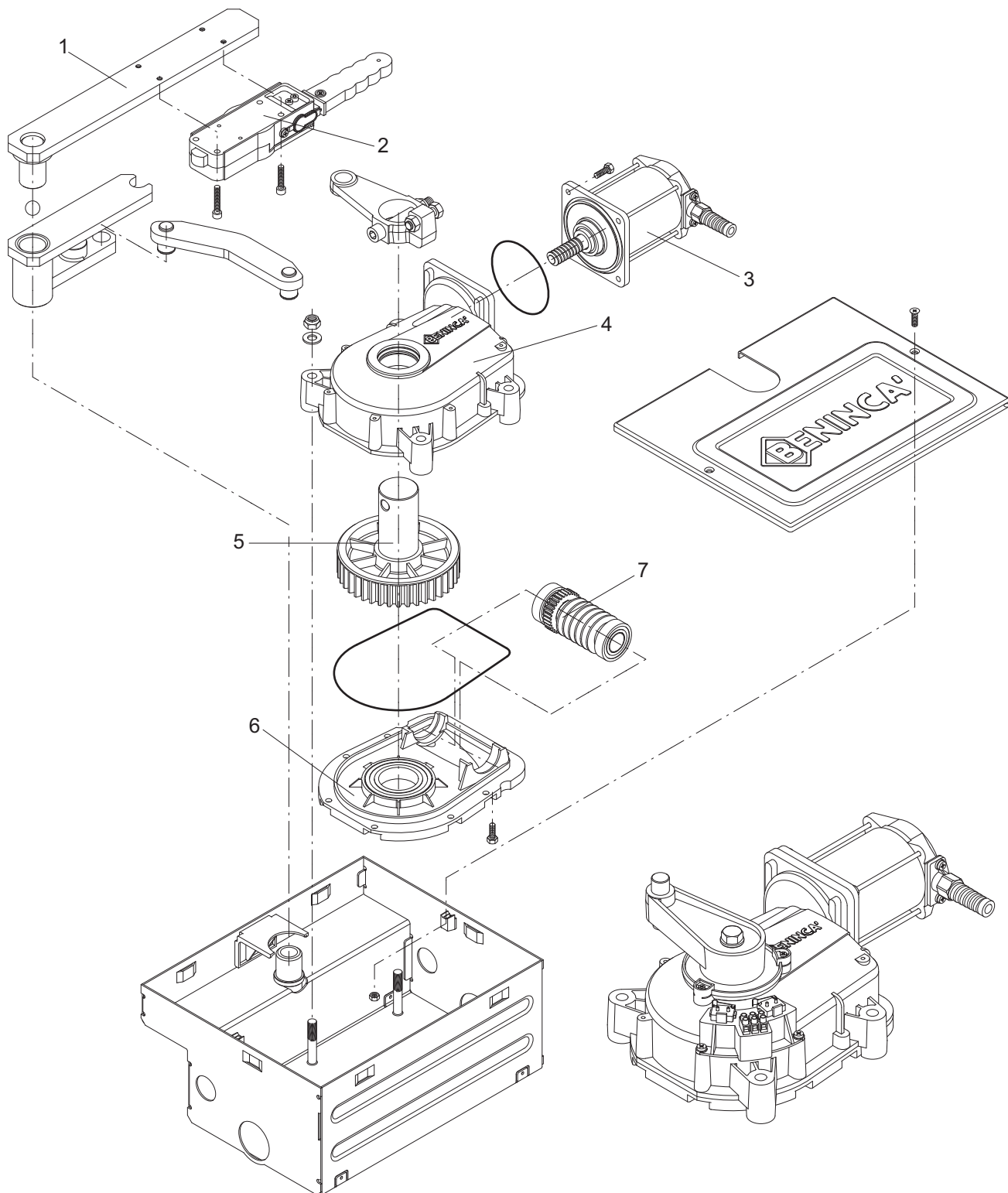
- 1 Moteur-réducteur DU.IT24N, caisson DU.CNI
- 2 Photocellule SC.P30QI (encastée) - SC.P30QE (suillée)
- 3 Selecteur à clé ID.SC ou ID.SCE (d'extérieur) ou clavier digital ID.PTD
- 4 Clignotant ID.LUX24
- 5 Antenne LO.W1N ou LO.W1LUX (au quartz)
- 6 Centrale électronique DA.24A

Legenda:

- 1 Motorreductor DU.IT24N, caja DU.CNI
- 2 Fotocélula SC.P30QI (de empotrar), SC.P30QE (de superficie)
- 3 Selector a llave ID.SC o ID.SCE (de superficie) o teclado digital ID.PTD
- 4 Relampagueador ID.LUX24
- 5 Antena LO.W1N o LO.W1LUX (cuarzada)
- 6 Central electrónica DA.24A

Opis:

- 1 Siłownik DU.IT24N, obudowa DU.CNI
- 2 Fotokomórki SC.P30QI (do wbudowania), SC.P30QE (zewnętrzne)
- 3 Pilot kluczowy ID.SC lub ID.SCE (od zewnątrz) lub klawiatura z przyciskami ID.PTD
- 4 Światło migające ID.LUX24
- 5 Antena LO.W1N lub LO.W1LUX (kwarcowana)
- 6 Centrala elektroniczna DA.24A



Pos.	Denominazione - Description - Bezeichnung - Dénomination - Denominación - Określenie						Cod.
1	Gruppo di traino	Drive unit	Zugeinheit	Gr. d'entraînem.	Gr. de tracción	Wózek ciągnący	9686319
2	Sblocco	Release	Entblockung	Débloçage	Desbloqueo	Zespół odblok.	9686282
3	Motore	Motor	Motor	Moteur	Motor	Silnik	9686295
4	Carter trasmiss.	Transm. guard	Gehäuse	Carter	Caja transmis.	Karter	9686284
5	Ingranaggio	Gear	Zahnrad	Engrenage	Engranaje	Koło zębate	9686322
6	Coperchio	Cover	Deckel	Couvercle	Tapa	Karter	9686286
7	Vite senza fine	Worm screw	Zahnrad	Vis sans fin	Tornillo sin fin	Śruba dwustronna	9686287

Warning

- Before installing the automatic system read the instructions hereunder carefully.
- It is strictly forbidden to use the product DU.IT24N for applications other than indicated in this instruction handbook.
- Show the user how to use the automation system.
- Give the user the part of the leaflet which contains the instructions for users.
- All Benincá products are covered by an insurance policy for any possible damages to objects and persons caused by construction faults, under condition that the entire system be marked CE and only Benincá parts be used.

General information

For an efficient operation of these automatism, the gate must have the following features:

- good stoutness and stiffness
- every wing must have one only hinge (if necessary, eliminate the others).
- all hinges must have positive clearances and permit smooth and regular manual operations.
- when wings are closed their height have to fit together.

Installation of the geared motor group

- 1 Assemble the cam "B" as per Fig. 2 and firmly tighten the screw V (tightening torque 45 Nm max).
- 2 Fit the geared motor group to the casing with 4 of the 6 nuts supplied on the casing, according to the type of assembly (see Fig. 3) and with the self-tapping screws supplied.
N.B.: Before tightening the fixing screws of the geared motor check that there is no clearance between the 4 screws and the reduction gear surface. In the negative, provide shim as required.
- 3 Pre-assemble the manual release to the gate supporting iron bar, as shown in Fig. 4.
- 4 Weld the drive unit to the gate as shown in Fig. 5.
- 5 Position the gate wing in the special niche, making sure that the ball is positioned between the pivot of the foundation casing and the drive unit. Then link the drive unit to the motor connecting rod through the special link bar (Fig. 6).

Adjustment of the mechanical limit switches

Standard assembly (ref. fig. 3-7).

- Adjust screw V so that, when the gate leaf leans against the mechanical stop, about 1÷2 mm space is left.
- The opening limit switch is fixed and averts that the gates overcomes 105°. For smaller openings use a mechanical stop on the ground or the electromechanical group DU.FCN.

Inside assembly (ref. fig. 3-8).

- The closing limit switch is composed of either the mechanical stop on the ground or the electro-mechanical group DU.FCN.
- For the opening limit switch, regulate the screw V (95° max.). For greater openings use the group DU.IT180N.

Connections

For connections to the electronic gear case, please refer to instructions relative to the electronic gear case itself.

DU.IT24N

User's handbook

Safety rules

- Do not stand in the movement area of the gate.
- Do not let children play with controls and near the gate.
- Should operating faults occur, do not attempt to repair the fault but call a qualified technician.

Manual and emergency operation

Should a power failure or a break-down occur, the gate can be manually opened and closed as follows (refer to figure):

- 1 Remove the protection cap "T" of the gate lock which is pressure-inserted.
- 2 Insert the key "C" and turn it until rotation is no longer smooth.
- 3 Rotate the lever "L" in either direction until activation of the limit switch.

Now the gate can be manually operated.

To reset the automatic operation of the gate, move the lever "L" back to the original position, turn and extract the special key "CE" and replace the cap "T". The normal operation of the gate will be reset with the first movement of the gate.

Maintenance

- Every month check the good operation of the emergency manual release.
- It is mandatory not to carry out extraordinary maintenance or repairs as accidents may be caused. These operations must be carried out by qualified personnel only.
- The operator is maintenance free but it is necessary to check periodically if the safety devices and the other components of the automation system work properly. Wear and tear of some components could cause dangers.

Waste disposal

If the product must be dismantled, it must be disposed according to regulations in force regarding the differentiated waste disposal and the recycling of components (metals, plastics, electric cables, etc.). For this operation it is advisable to call your installer or a specialised company.

Warning

All Benincá products are covered by insurance policy for any possible damages to objects and persons caused by construction faults under condition that the entire system be marked CE and only Benincá parts be used.

Position for the automatic operation.

