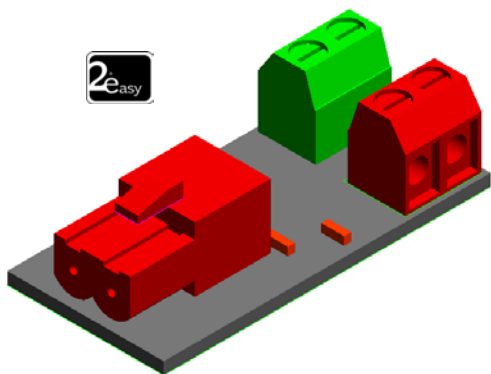
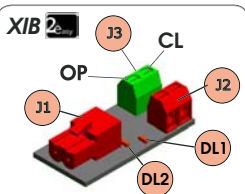
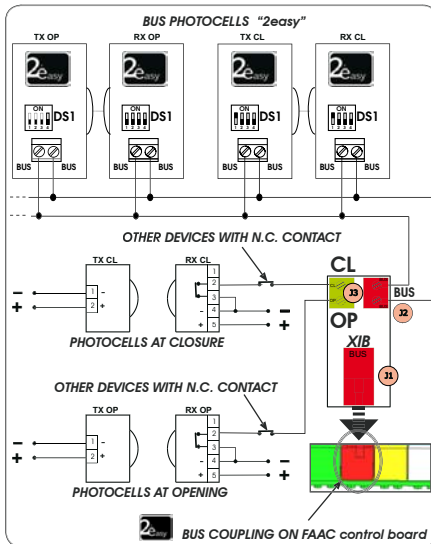


XIB

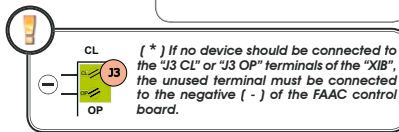
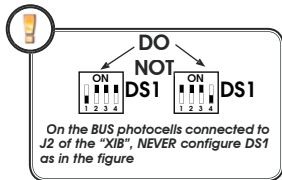


FAAC

"XIB" BUS INTERFACE



J1 (RED)	Connector to be connected to the "2easy" BUS coupling on FAAC control board
J2 (RED)	Terminal board for the connection of BUS accessories (2easy photocells, encoder etc..)
J3 CL (GREEN)	Terminal for the connection of devices operating at closure (CL), with N.C. contact (E.G. PHOTOCELLS, EDGES, ETC...)
J3 OP (GREEN)	Terminal for the connection of devices operating at opening (OP) with N.C. contact (E.G. PHOTOCELLS, EDGES, ETC...)
DL1	LED for diagnostics of devices connected to the J3 OP terminal (see diagnostic table)
DL2	LED for diagnostics of devices connected to the J3 CL terminal (see diagnostic table)



DIAGNOSTICS

	OFF	SLOW FLASHING (FLASH EVERY 5 secs.)	ON STEADY BEAM	FAST FLASHING (FLASH EVERY 0.5 secs)	ALTERNATE FLASHING OF "DL1" AND "DL2" LEDs
DL1	"XIB" board broken or not powered	J3 OP terminal open. E.G. PHOTOCELL ENGAGED, NOT ALIGNED OR NOT CONNECTED (*)	J3 OP terminal closed E.G. PHOTOCELL NOT ENGAGED AND ALIGNED	BUS photocell, connected to the J2 terminal of the "XIB", with the configuration of: DS1: OFF;ON;ON;OFF USE ANOTHER DS1 COMBINATION	The "XIB" BUS interface is not connected to a "2easy" bus output on the FAAC control board
DL2	"XIB" board broken or not powered	J3 CL terminal open. E.G. PHOTOCELL ENGAGED, NOT ALIGNED OR NOT CONNECTED (*)	J3 CL terminal closed E.G. PHOTOCELL NOT ENGAGED AND ALIGNED	BUS photocell, connected to the J2 terminal of the "XIB", with the configuration of: DS1: ON;ON;ON;OFF USE ANOTHER DS1 COMBINATION	CONNECT THE "XIB" INTERFACE TO THE "2easy" BUS TERMINAL ON THE FAAC control board

DICHIARAZIONE CE DI CONFORMITÀ**Fabbricante:** FAAC S.p.A.**Indirizzo:** Via Benini, 1 - 40069 Zola Predosa BOLOGNA - ITALIA**Dichiara che:** L'apparecchiatura elettronica XIB è conforme ai requisiti essenziali di sicurezza delle seguenti direttive CEE: 2006/95/CE Direttiva Bassa Tensione; 2004/108/CE Direttiva Compatibilità Elettromagnetica
Nota aggiuntiva: Questo prodotto è stato sottoposto a test in una configurazione tipica omogenea (Tutti i prodotti di costruzione FAAC S.p.A.)

Bologna, 01 Maggio 2008

L'Amministratore Delegato
A. Bassi**CE DECLARATION OF CONFORMITY****Manufacturer:** FAAC S.p.A.**Address:** Via Benini, 1 - 40069 Zola Predosa BOLOGNA - ITALY**Declares that:** The XIB control unit conforms to the essential safety requirements of the following ECC directives: 2006/95/EC Low Voltage Directive; 2004/108/EC Electromagnetic Compatibility Directive

Additional note: This product underwent tests in a typical uniform configuration

(All products manufactured by FAAC S.p.A.)

Bologna, 01 May 2008

The Managing Director
A. Bassi**DÉCLARATION CE DE CONFORMITÉ****Fabricant:** FAAC S.p.A.**Adresse:** Via Benini, 1 - 40069 Zola Predosa BOLOGNA - ITALIE**Déclare que:** L'armoire électronique XIB est conforme aux exigences essentielles de sécurité des directives CEE suivantes: 2006/95/CE Directive Basse Tension; 2004/108/CE Directive Compatibilité Électromagnétique

Note supplémentaire: Ce produit a été soumis à des essais dans une configuration typique homogène

(Tous les produits sont fabriqués par FAAC S.p.A.)

Bologna, le 1 Mai 2008

L'Administrateur Délégué
A. Bassi**CE-KONFORMITÄTSERKLÄRUNG****Der Hersteller:** FAAC S.p.A.**Anschrift:** Via Benini, 1 - 40069 Zola Predosa BOLOGNA - ITALIEN**Erklärt, dass:** Das elektronische Steuergerät XIB entspricht den wesentlichen Sicherheitsanforderungen der folgenden EWG-Richtlinien: 2006/95/EG Niederspannungsrichtlinie; 2004/108/EG Richtlinie zur elektromagnetischen Verträglichkeit

Zusätzliche Anmerkung: Dieses Produkt wurde den Prüfungen in einer typischen homogenen Konfiguration unterzogen (alle Produkte stammen aus der Produktion der Firma FAAC S.p.A.)

Bologna, 1. Mai 2008

Der Geschäftsführer
A. Bassi**DECLARACIÓN CE DE CONFORMIDAD****Fabricante:** FAAC S.p.A.**Dirección:** Via Benini, 1 - 40069 Zola Predosa BOLOGNA - ITALIA**Declara que:** El equipo electrónico XIB es conforme con los requisitos esenciales de seguridad de las siguientes directivas CEE: 2006/95/CE Directiva de Baja Tensión; 2004/108/CE Directiva de Compatibilidad Electromagnética

Nota adicional: Este producto ha sido sometido a ensayos en una configuración típica homogénea

(Todos productos de fabricación FAAC S.p.A.)

Bologna, 01 de Mayo de 2008

El Administrador Delegado
A. Bassi**CE VERKLARING VAN OVEREENSTEMMING****Fabrikant:** FAAC S.p.A.**Adres:** Via Benini, 1 - 40069 Zola Predosa BOLOGNA - ITALIA**Verklaart dat:** De elektronische apparatuur XIB voldoet aan de fundamentele veiligheidsvoorschriften van de volgende EEG-richtlijnen: 2006/95/EG Laagspanningsrichtlijn; 2004/108/EG richtlijn Elektromagnetische Compatibiliteit

Aanvullende opmerking: Dit product is getest in een gebruikelijke, homogene configuratie

(alle producten gebouwd door FAAC S.p.A.)

Bologna, 01 Mei 2008

De Algemeen Directeur
A. Bassi**FAAC****FAAC S.p.A.**Via Benini, 1
40069 Zola Predosa (BO) - ITALIA
Tel. 0039.051.61724 - Fax. 0039.051.758518
www.faac.it
www.faacgroup.com